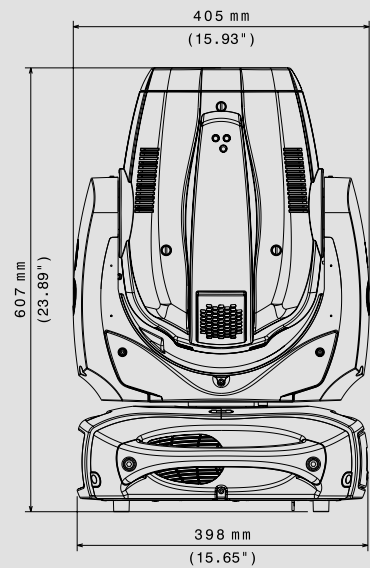
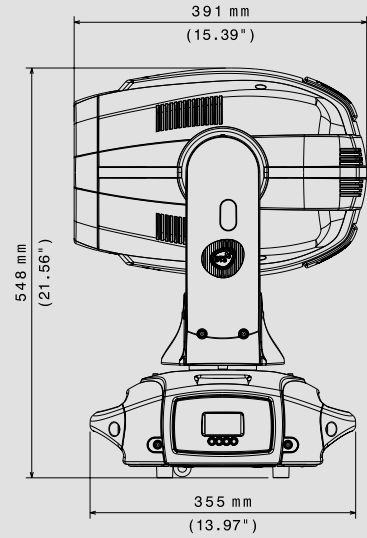


# CORE



BEAM AND SPOT ALL IN ONE  
FOR A RANGE OF PROFESSIONAL  
APPLICATIONS



## FEATURES



## OPTIONALS

## CERTIFICATIONS



CODE  
03.MS018.L



## TECHNICAL DATA

### OUTPUT

- Lamp: Osram Sirius HRI 440 W (24,000 Lumens)
  - Color temperature: 7000 K
  - CRI: 80
  - Average lamp life: 1,500 hours

### OPTICAL GROUP

- Improved optical group: Spot and Beam all in one
- 1,530,000 Lux @ 5 m
- 16-bit motorized wide-excursion linear zoom
- Beam opening: 2° - 39°
- 16-bit motorized linear focus
- Linear dimmer / shutter / strobe (0.85 flash/sec to 10 flash/sec)
- Effect glass filters
- Frost Filter

### COLOR GENERATION

- 16-color wheel
- Two-tone generation

### DYNAMIC EFFECTS

- Overlapping wheel for multiple effects:
  - Customizable rotating gobo wheel (9 gobos)
  - Fixed gobo wheel (17 gobos + animation sector + Open)
- 8-facet rotating prism

### CONTROL

- Auto flip LCD graphic display + 4 soft-keys (control / management of the main parameters)
- Controlled via DMX 512 and RDM standard digital communication protocols
- Firmware updatable via DTS firmware uploader dongle

### DMX

- 24 DMX channels (default)
- 18 DMX channels

### PAN & TILT

- Pan: 540°: 2.7 s
- Tilt: 244°: 2 s
- Tri-phase stepper motor technology for ultra-fast silent movements
- 16-bit resolution
- Selectable speed ranges
- Pan / Tilt lock

### POWER SUPPLY

- Wide-range 100-240Vac 50-60 Hz
- Power consumption: 600 W with PFC
- Power saving mode (the lamp dims to 80% after shutter closure)
- Power Factor: PF >0.90

### CONNECTIONS

- DMX: XLR 3-pole and 5-pole In / Out panel connectors
- Power supply: powerCON In / Out panel connectors

### CIRCUITS PROTECTIONS

- Overvoltage and overtemperature circuits protection

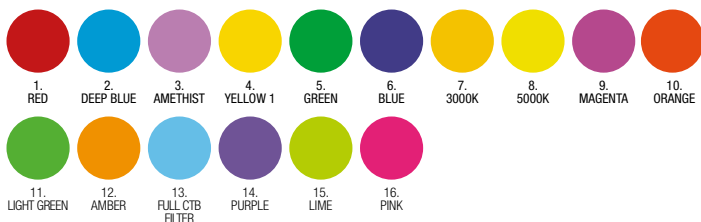
### OPERATING TEMPERATURE

-10° / 40° C

### PHYSICAL

- IP20
- Weight: 24.3 Kg (53.6 lbs)
- Finishing: Black

## COLOR WHEEL



## ACCESSORIES INCLUDED

- 1 x PowerCON female cable connector (code 0520P014)
- 1 x XLR 5 Pins male cable connector (code 0508B148)
- 1 x XLR 5 Pins female cable connector (code 0508B147)
- 2 x Omega Bracket with "Fast Lock" connection 1/4 turn (code 02K00549)

## ACCESSORIES ON REQUEST

- Lamp 440W SIRIUS HRI (code 0505S039)
- Flightcase for 2 units (code 0521C065.2)
- Aliscaf clamp for tube diameter 48-51 mm - max. load. 200 Kg (code 0521A033)
- G-QUICK clamp Professional -max. load 100 Kg (code 0521A037)
- Custom gobo for rotating wheel (code 0516R001.58)
- Outdoor DMX cable 2 x 0,25 mm<sup>2</sup> - Flame retardant (code 0509C158)
- Safety cable 3 x 600 mm - Max load 30 Kg (code 0521A010)
- DTS firmware uploader dongle (code 03.LA.206)

## PHOTOMETRIC DATA

	mt 5 ft 16.40	mt 15 ft 49.21	mt 25 ft 82.02	mt 50 ft 164.04	mt 100 ft 328.08	
BEAM ANGLE 2°	lux center (lx)	1530000	170000	61200	15300	3825
	foot candles (fc)	142193	15799	5688	1422	355
	diameter (cm)	17	52	87	175	349
	diameter (ft)	0.57	1.72	2.86	5.73	11.45

	mt 5 ft 16.40	mt 15 ft 49.21	mt 25 ft 82.02	mt 50 ft 164.04	mt 100 ft 328.08	
BEAM ANGLE 39°	lux center (lx)	5300	589	212	53	13
	foot candles (fc)	493	55	20	5	1
	diameter (cm)	354	1062	1771	3541	7082
	diameter (ft)	11.62	34.85	58.09	116.18	232.36

## ROTATING GOBO WHEEL



## FIXED GOBO WHEEL

